

# PRX835

## 15" Three-Way Full-Range Main System

### Features:

- ▶ Maximum SPL Output 138 dB Peak
- ▶ 15" Differential Drive® low-frequency drivers for low-distortion and higher SPL
- ▶ 1.5" diameter next generation JBL neodymium compression driver
- ▶ 1500W (dual 750 watt) highly efficient Class-D amplifier
- ▶ Normal and Boost user selectable EQ presets
- ▶ DSP input section, crossover, dynamic limiting, component optimization, selectable system EQ
- ▶ Wireless remote control of its onboard DSP EQ parameters via Wi-Fi. Control and configure your show from anywhere.
- ▶ Professional XLR-1/4" combination inputs, RCA inputs, and XLR loop-through
- ▶ Integrated 12 x M10 Suspension Points
- ▶ Lightweight poplar plywood cabinets made structurally sound with tongue and groove joints and protected by JBL's tour proven DuraFlex™ finish

### Application:

- ▶ This speaker is ideally suited to applications where the program material exhibits subtlety and nuance. Perfectly capable of reproducing high fidelity full range sound without a subwoofer, when coupled with the extended low frequencies of the PRX818XLF, complete control over the entire audio spectrum is attained. As with all the full-range PRX800 Series systems, two EQ selections can be used to optimize the system for the program material and/or environment. The input section also accommodates either Line or Mic/Instrument level inputs.
- ▶ The PRX835 is a self-powered, lightweight three-way loudspeaker system capable of delivering a very high level of performance over a wide bandwidth with remote Wi-Fi control of onboard DSP EQ parameters. The PRX835 is comprised of one 15 in 275G Differential Drive® woofer, a 165 mm (6.5 in) 196H horn-loaded mid-range and a 2408H-2 37.5 mm (1.5 in) annular polymer diaphragm, neodymium compression driver mounted to a 90° by 50° horn, all driven by a 1500 watt Audio Class-D power amplifier. Sophisticated DSP is at the core of a fully featured input section, providing user selectable system EQ, protection, input sensitivity selection, cross-over functionality, dynamic limiting and discrete component optimization.
- ▶ All PRX800 cabinets are built from 18 mm, strong, light-weight poplar plywood made structurally sound with tongue and groove joints. The PRX835 features a standard 35mm pole cup that will work with most speaker poles and tripods. All PRX800 Series cabinets are protected by JBL's tour proven DuraFlex™ finish. Grilles are made from dent-resistant 16 gauge steel and handles are made from light-weight glass-filled nylon for added strength and durability. All M10 suspension points are constructed from 14 gauge steel and have been tested with a yield-strength of 1000 lbs. Each.
- ▶ The amplifier input panel offers XLR or 1/4 inch jack compatibility and a sensitivity switch provides extra flexibility, making it possible to connect literally any sound source without using a mixer. Signal present and overload lights indicate the system status and assist in setting the optimum level via the level control knob.



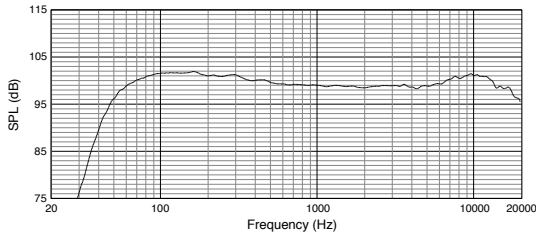
### Specifications:

<b>System:</b>	
System Type:	Self Powered 15", three-way, bass-reflex
Maximum SPL Output:	138 dB peak
Frequency Range (-10 dB):	Normal: 35 Hz – 20 kHz Boost: 34 Hz – 20 kHz
Frequency Response (±3 dB):	Normal: 42 Hz – 20 kHz Boost: 39 Hz – 20 kHz
Input Connectors:	2 x Balanced XLR / 1/4 inch input, 2 x unbalanced RCA input
Input Impedance:	20K Ohms (balanced), 10K Ohms (unbalanced)
Signal Indicators:	Limit: Yellow LED indicates peak output has been reached and DSP limiter is acting Signal: Green LED indicates signal present Power: Blue indicates system has power and ready to pass audio
EQ:	User selectable presets for Normal or Boost, Advanced EQ settings available using PRX Connect application via Wi-Fi
Dynamic Control (Input):	dbx Type IV™ limiter circuit
Crossover::	580 Hz, 2.1 kHz
<b>Amplifier:</b>	
Design:	Highly efficient Class-D amplifier
Power Rating:	1500W (750W x 2)
AC Power Input:	100V - 240V ~ 50/60 Hz
<b>Speaker:</b>	
LF Driver:	1 x JBL 275G 380 mm (15 in) woofer
MF Driver:	1 x JBL 196H 165 mm (6.5 in) horn-loaded midrange transducer
HF Driver:	1 x JBL 2408H-2 37.5 mm (1.5 in) annular polymer diaphragm, neodymium compression driver
Coverage Pattern:	90° x 50° nominal
Directivity Index (DI):	10.5 dB
Directivity Factor (Q):	11.2
Enclosure:	Trapezoidal, 18mm, birch/poplar wooden enclosur
Suspension / Mounting:	12 x M10 Suspension Points
Transport:	2x integrated handles with injection molded backing cup
Finish:	Obsidian DuraFlex™ finish
Grille:	Powder coated, Obsidian, 16 gauge perforated steel with acoustically transparent black cloth backing.
Dimensions (H x W x D):	938 mm x 446 mm x 539 mm (36.9 in x 17.5 in x 21.2 in)
Net Weight:	32.38 kg (71.4 lb)
Gross Weight:	38.6 kg (85.0 lb)

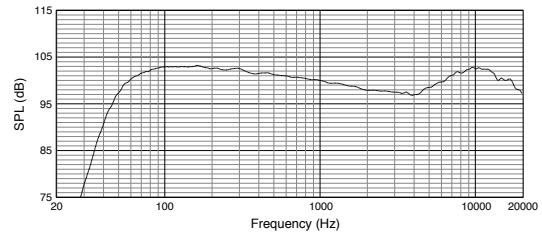
JBL continually engages in research related to product improvement. Some materials, production methods and design refinements are introduced into existing products without notice as a routine expression of that philosophy. For this reason, any current JBL product may differ in some respect from its published description, but will always equal or exceed the original design specifications unless otherwise stated.

# ► PRX835 15" Three-Way Full-Range Main System

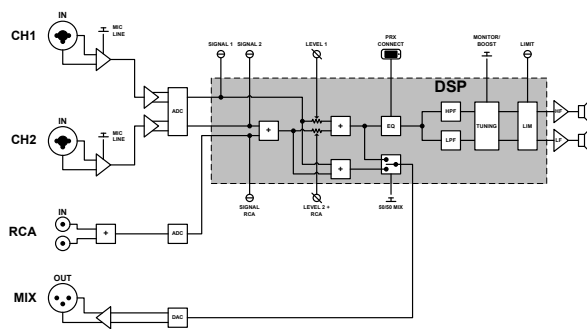
Frequency Response (Normal)



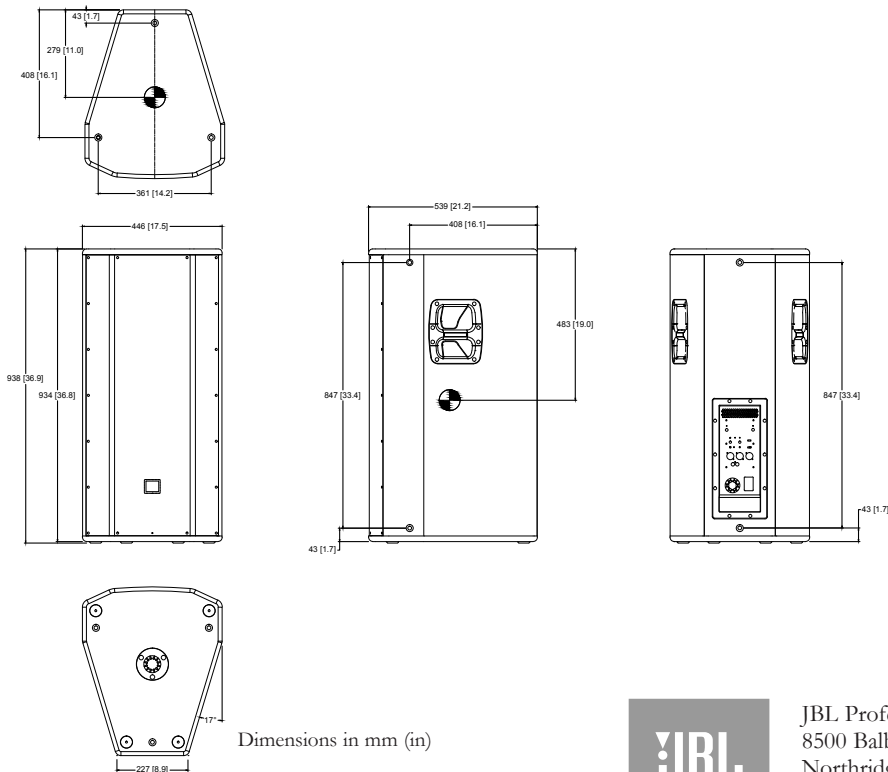
Frequency Response (Boost)



## Block Diagrams



## Dimensions



Dimensions in mm (in)



JBL Professional  
8500 Balboa Boulevard, P.O. Box 2200  
Northridge, California 91329 U.S.A.

© Copyright 2017 JBL Professional

[www.jblpro.com](http://www.jblpro.com)

PN: 5075809  
SS PRX835  
CRP  
06/17